

POLE BUILDING REQUIREMENTS

As required by Bureau Veritas North America, Inc.

All information below and on the other side must be provided. Each item should be checked off and this form must be returned with the application.

- Application.
- Local Municipal Approval
- Site plan or provide setbacks. (Be sure to include all structures on the property)
- Two full sets of plans. (Must be in ink and drawn to scale)

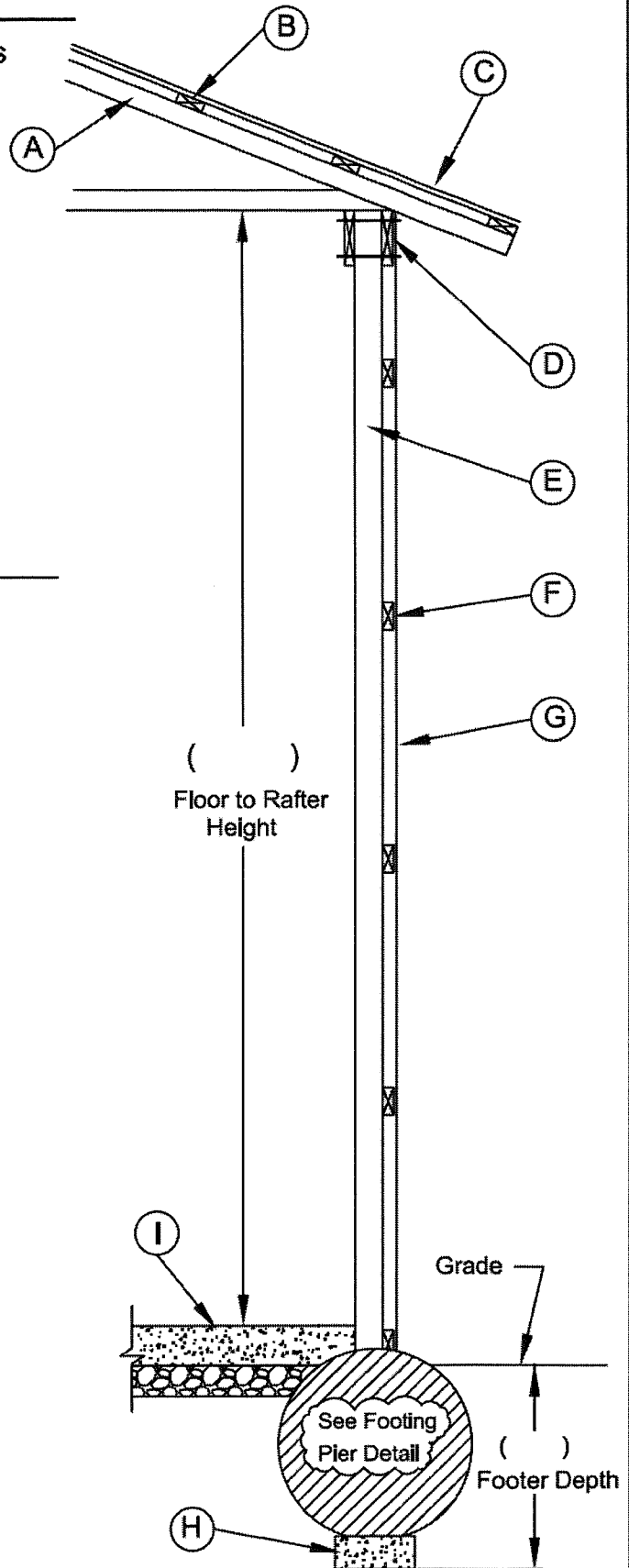
**THIS COMPLETED FORM ALONG WITH THE REVERSE SIDE MUST BE
TURNED IN WITH PLANS**

Pole Building Cross Section Submittal

- 1. Building Size: Length _____ x Width _____
- 2. Draw Floorplan: Show All Post & Beam Locations

(circle one)

- (A) RAFTERS or TRUSSES
Type: _____ Pitch: _____
Span: _____ Spacing: _____
- (B) ROOF SHEATHING
Type: _____ Thickness: _____
Spacing: _____
- (C) ROOF COVERING
Type: _____
- (D) HEADER / CARRIER BEAM
Type: _____ Size: _____
Span: _____ Fastening Method: _____
- (E) POSTS
Type: _____ Size: _____
Spacing: _____
- (F) WALL SHEATHING
Type: _____ Spacing: _____
- (G) WALL COVERING
Type: _____
- (H) FOOTER
Width _____ x Length _____ x Thickness _____
- (I) FLOOR
Type: _____ Thickness: _____



FOOTING PIERS (Suggested Methods) - Circle Method Used -

